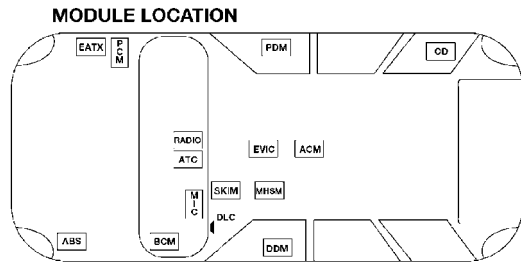
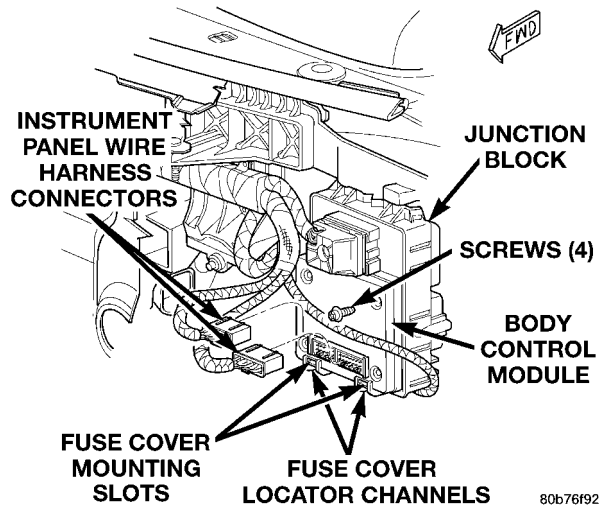


8.0 COMPONENT LOCATIONS

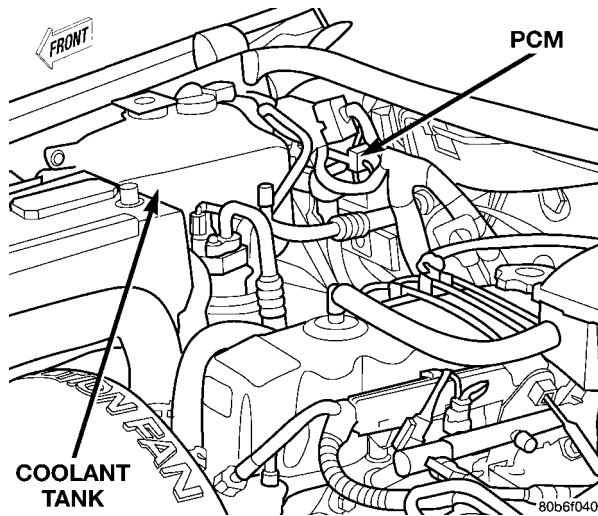
8.1 CONTROL MODULES AND PDC



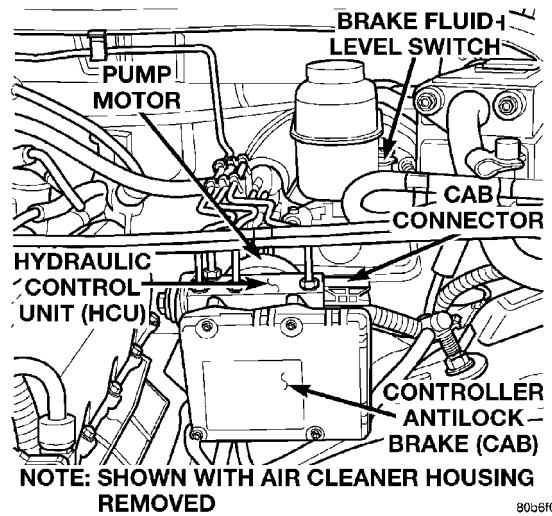
80b3b0ea



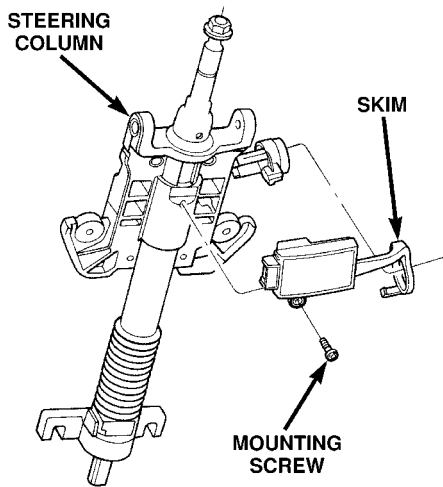
80b76f92



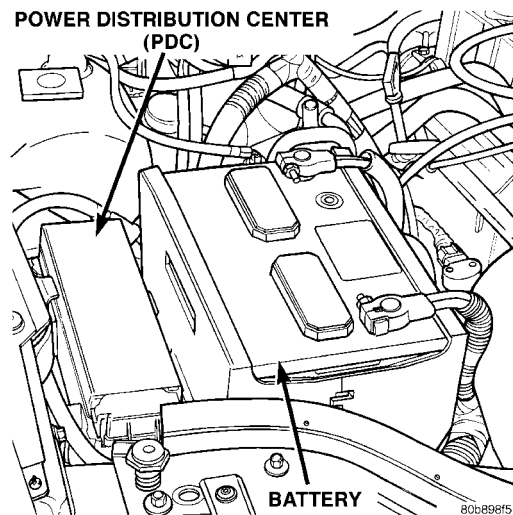
80b6f040



80b6f0ba



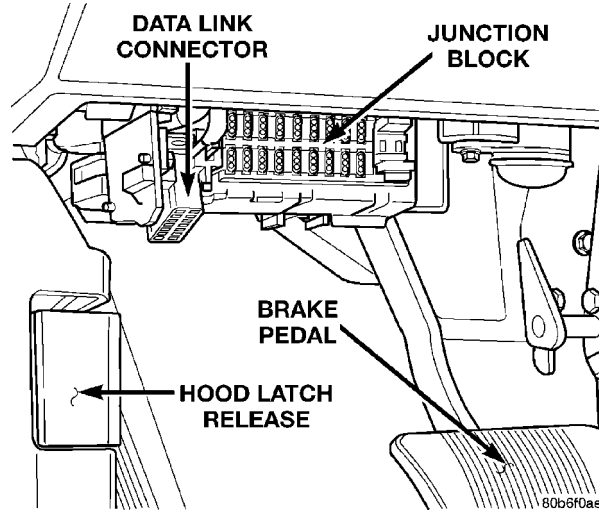
80b76f19



80b89815

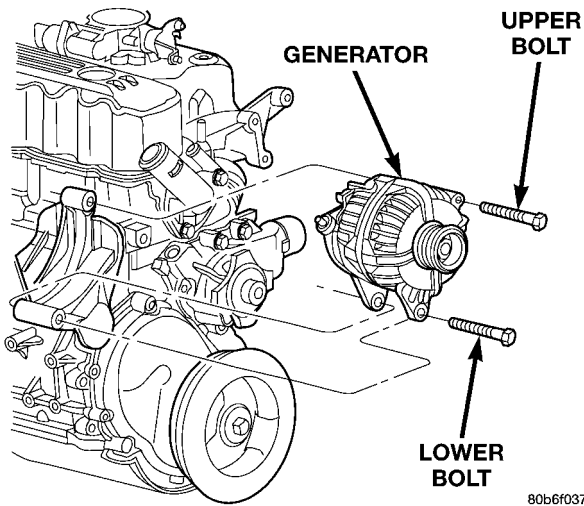
COMPONENT LOCATIONS

8.2 DATA LINK CONNECTOR

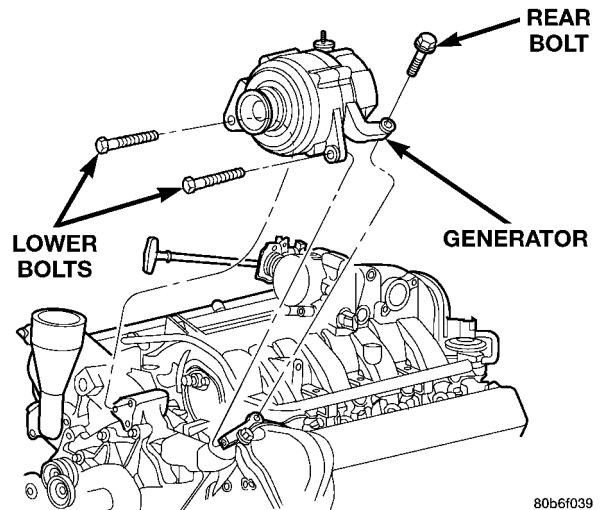


8.3 SENSORS AND SOLENOIDS

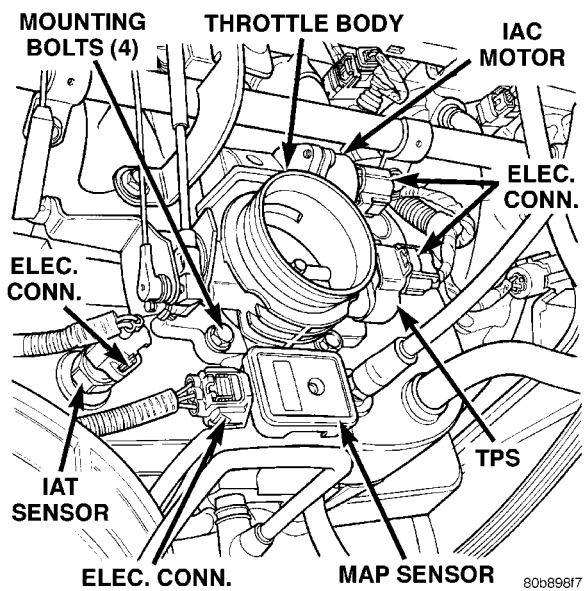
4.0L



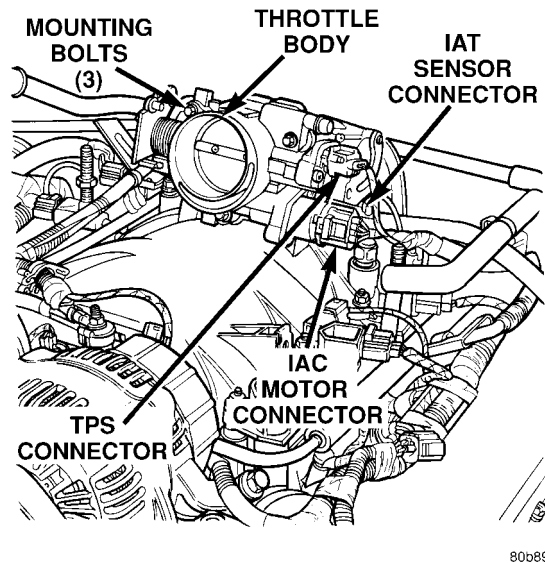
4.7L

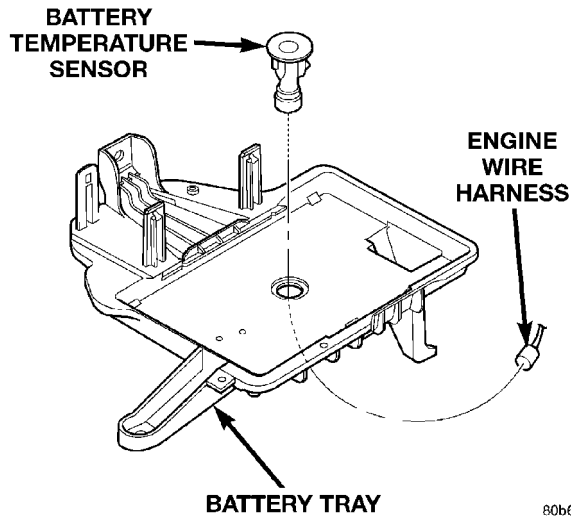


4.0L



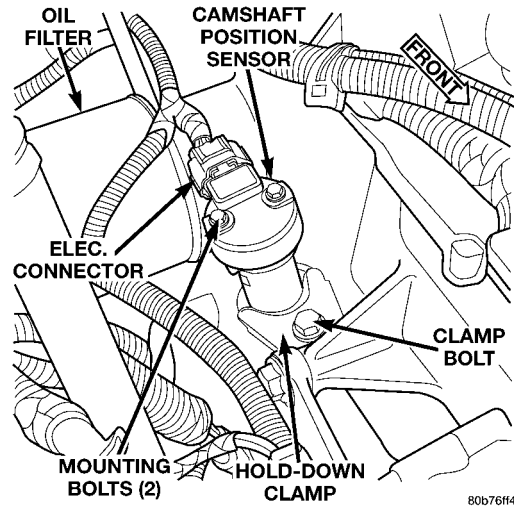
4.7L





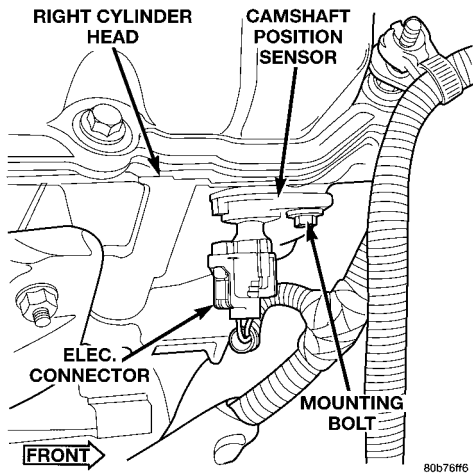
80b6f036

4.0L



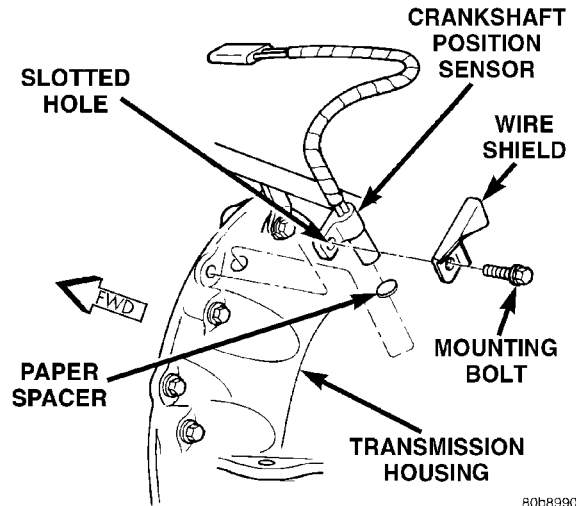
80b76ff4

4.7L



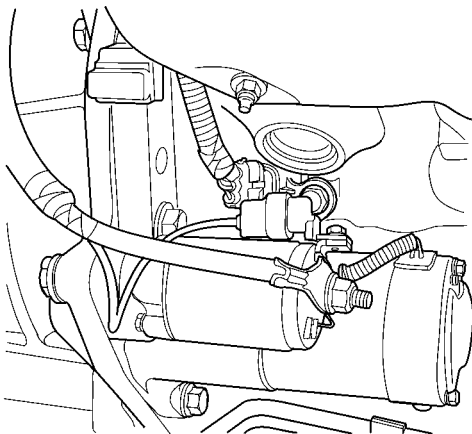
80b76ff6

4.0L



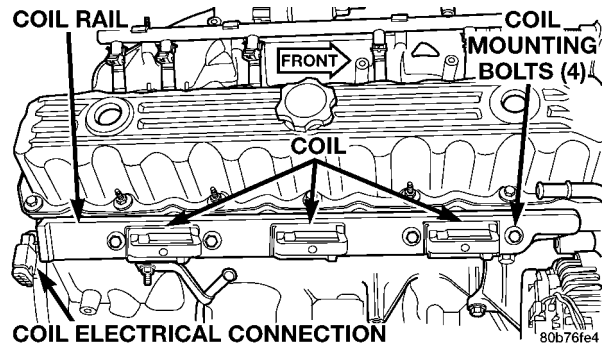
80b89904

4.7L



80b76ff0

4.0L

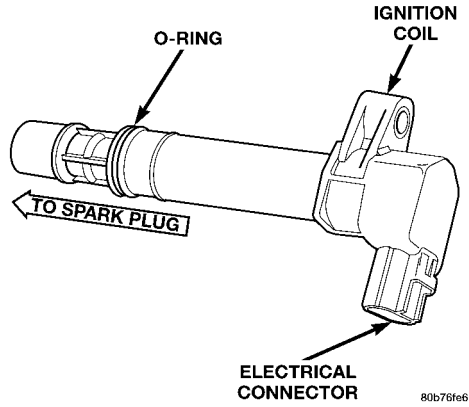


80b76fe4

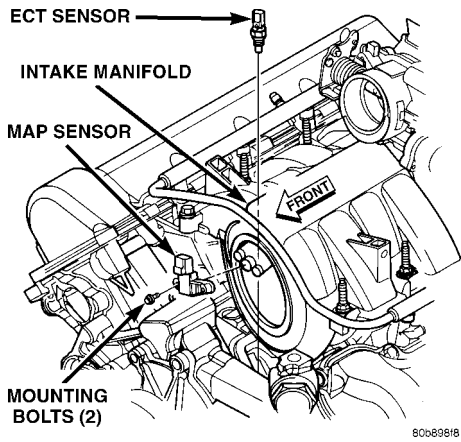
COMPONENT LOCATIONS

8.3 SENSORS AND SOLENOIDS (Continued)

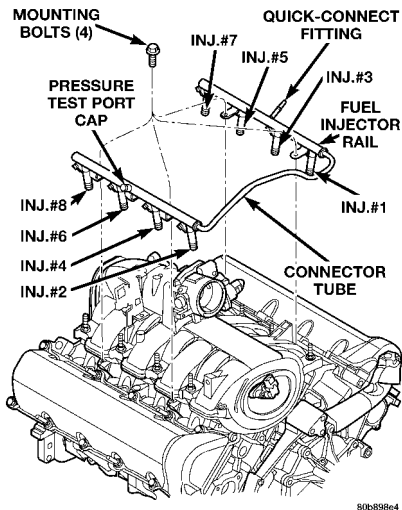
4.7L



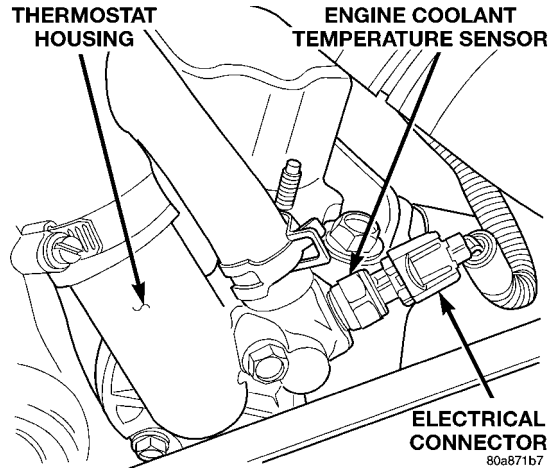
4.7L



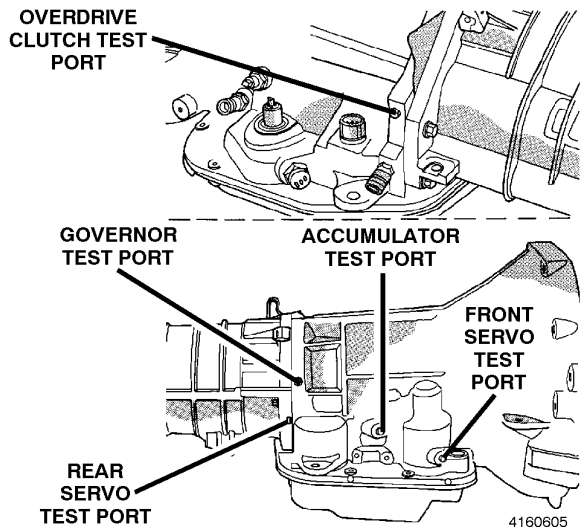
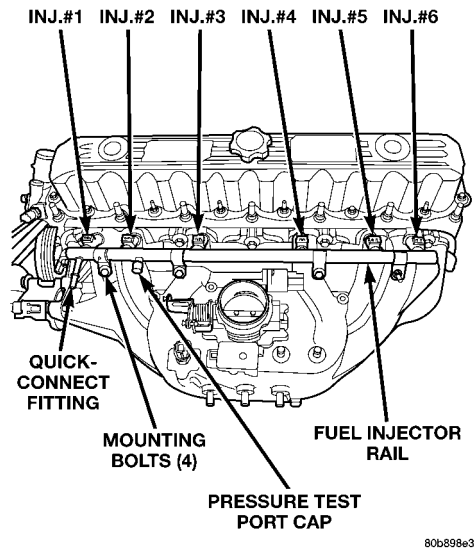
4.7L

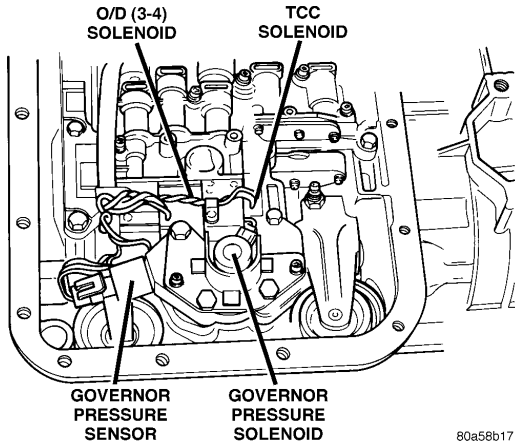


4.0L

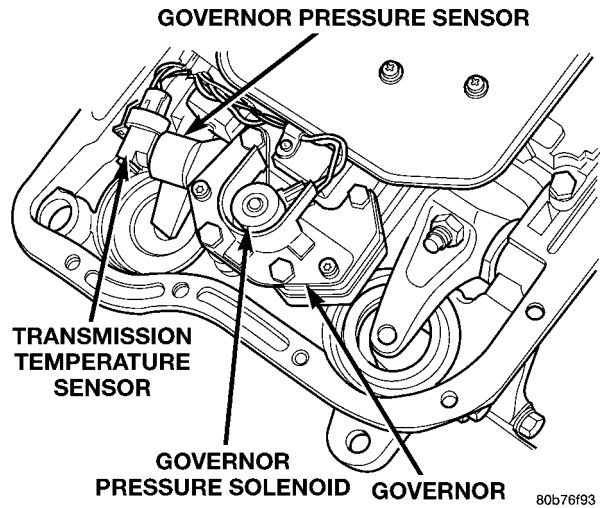


4.0L



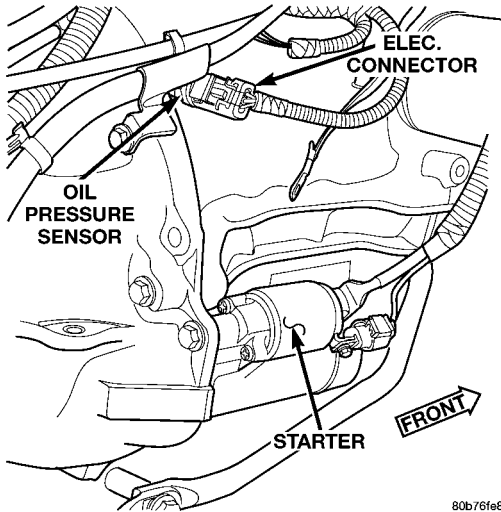


80a58b17



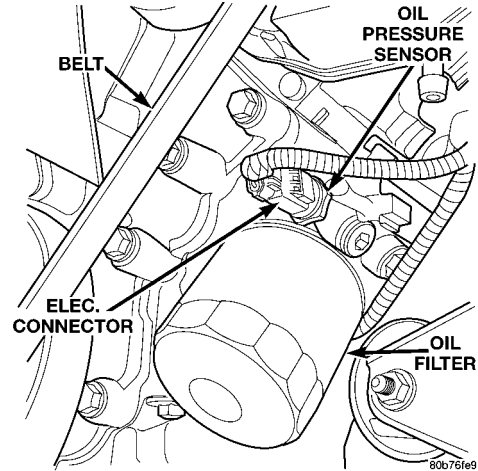
80b76f93

4.0L



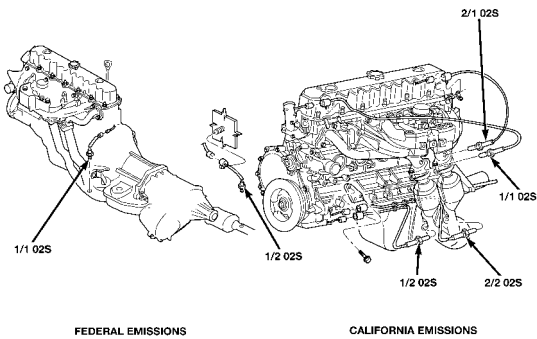
80b76fe8

4.7L



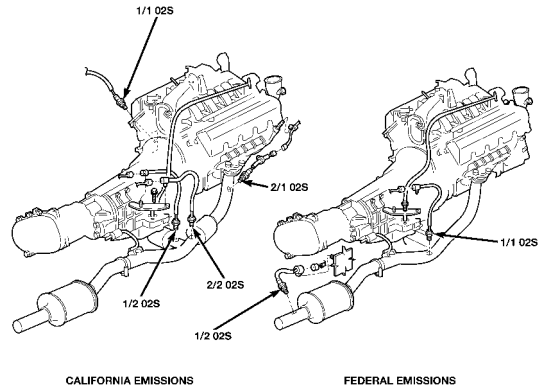
80b76fe9

4.0L



80b3c578

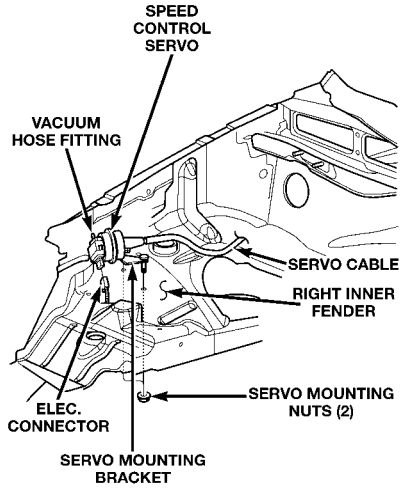
4.7L



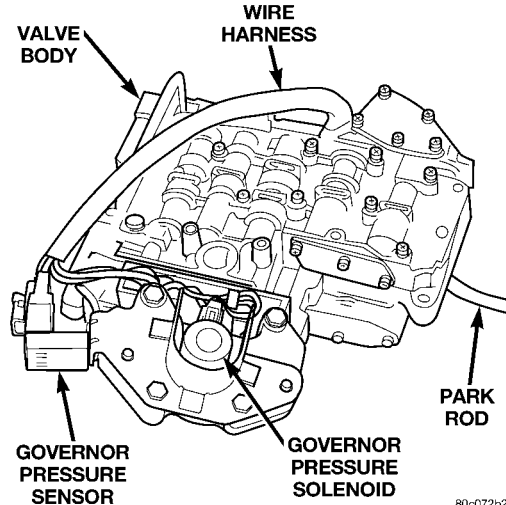
80b3c579

COMPONENT LOCATIONS

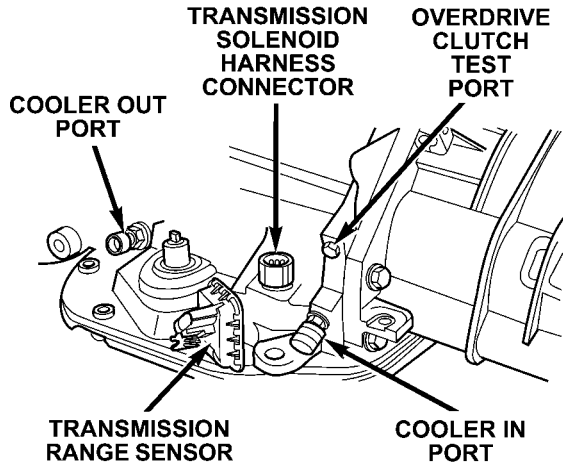
8.3 SENSORS AND SOLENOIDS (Continued)



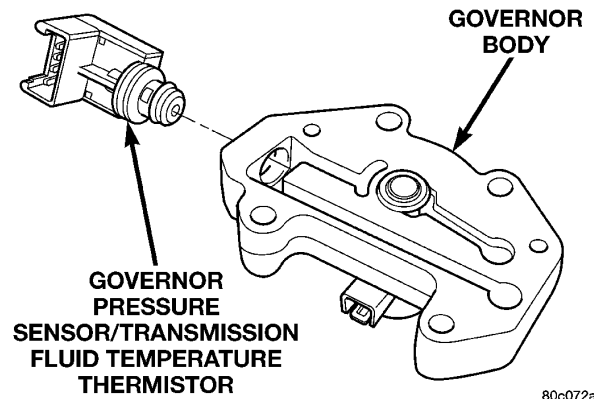
80b77003



80c072b2

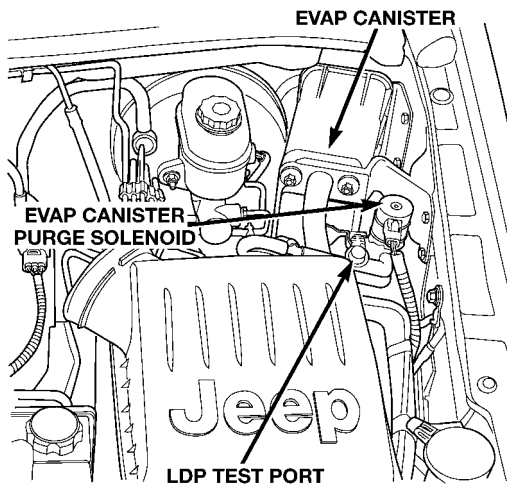


80a3fa9e

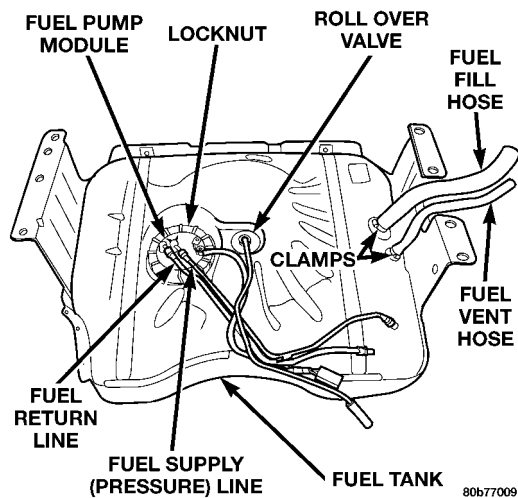


80c072af

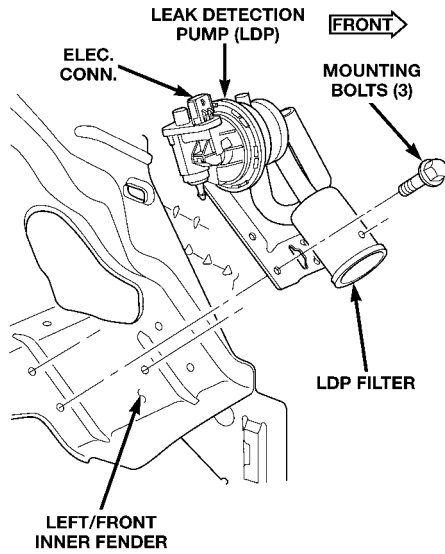
8.4 FUEL SYSTEM



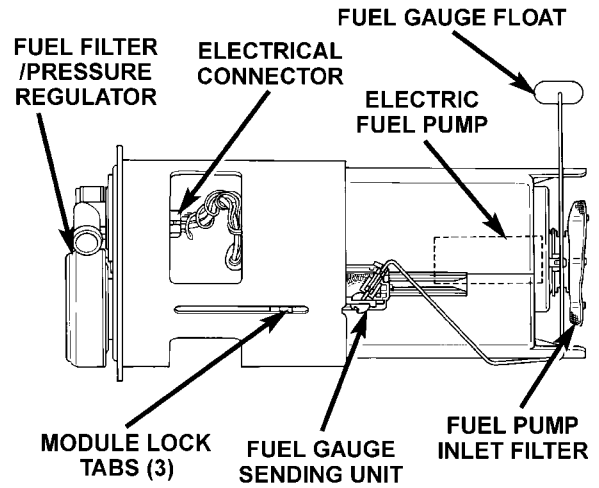
80b89908



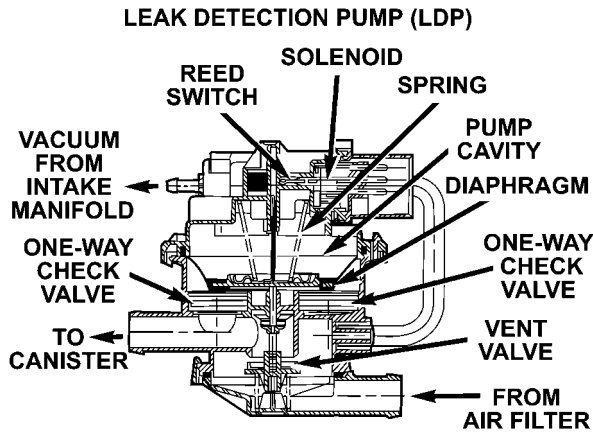
80b77009



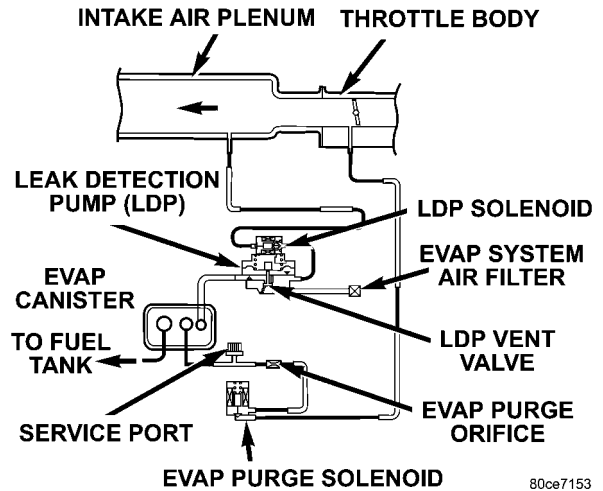
80ba7721



80a61214

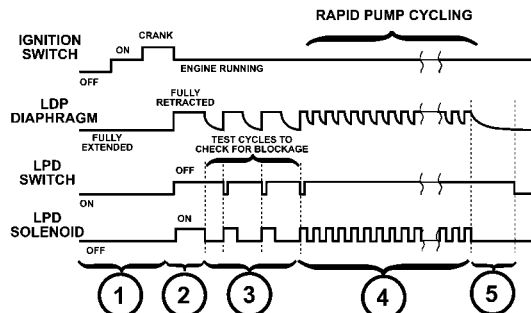


80ce7157



80ce7153

EVAP LEAK DETECTION TEST SEQUENCE



SECTION 1-P1495 LEAK DETECTION PUMP SOLENOID CIRCUIT CAN SET (KEY "ON")
 SECTION 2-P1494 LEAK DETECTION PUMP SW OR MECH FAULT CAN SET
 SECTION 3-P1486 EVAP LEAK MON PINCHED HOSE FOUND CAN SET
 SECTION 4-NO DTC CAN SET DURING THIS TIME
 SECTION 5-P0456 EVAP LEAK MONITOR 0.020 LEAK DETECTED/P0442-EVAP LEAK MONITOR 0.040 LEAK DETECTED/P0455-EVAP LEAK MONITOR LARGE LEAK DETECTED CAN SET-TIMES WILL VARY

80ce7168

COMPONENT LOCATIONS

8.5 SWITCHES

TYPICAL VIEW

