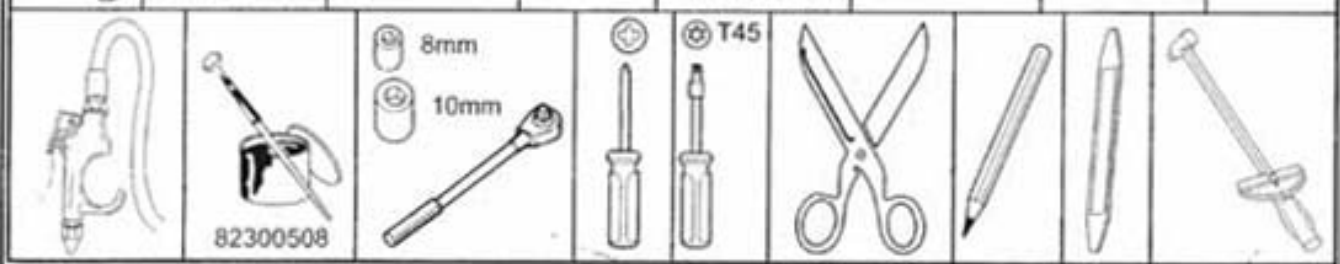
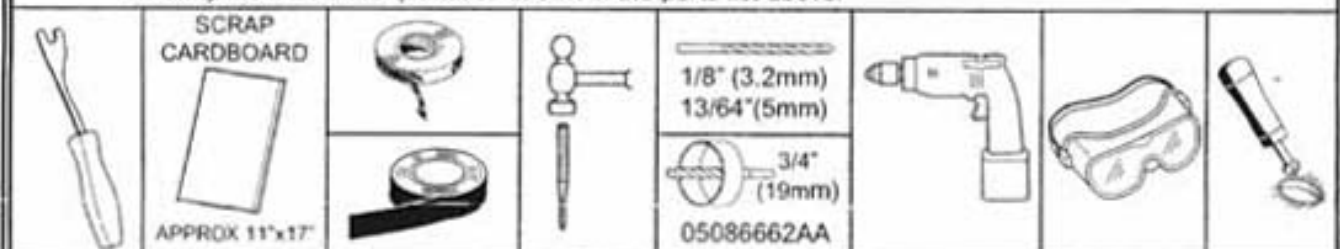
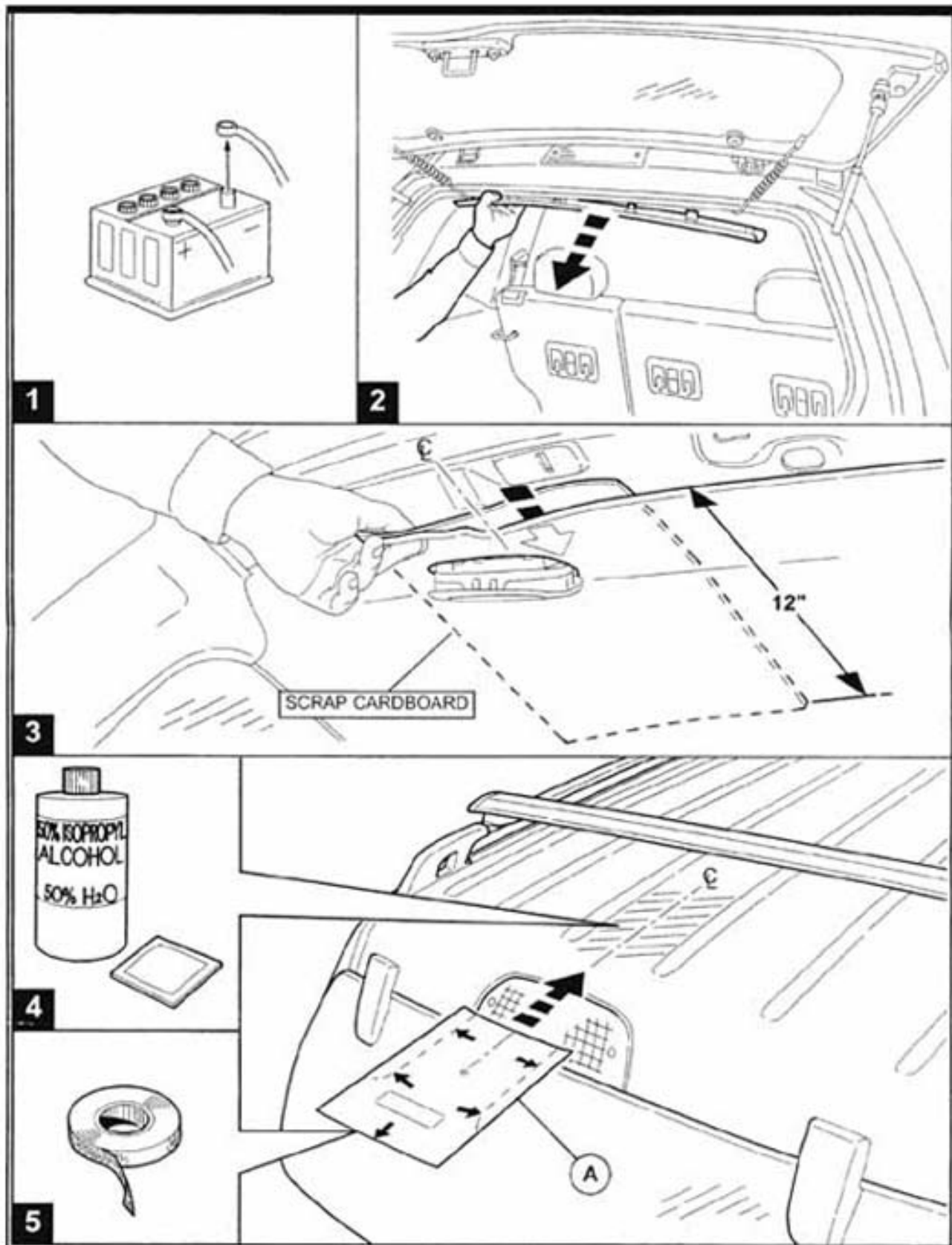
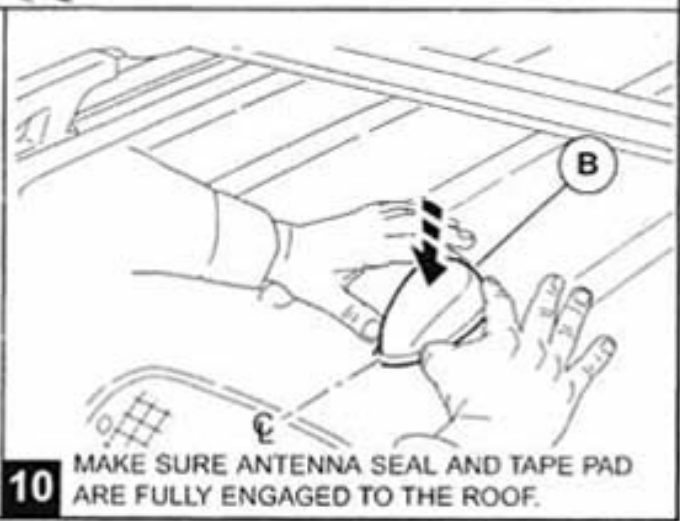
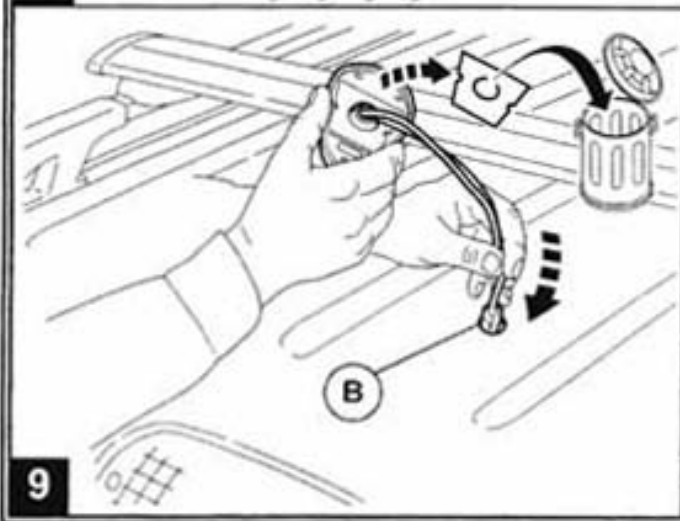
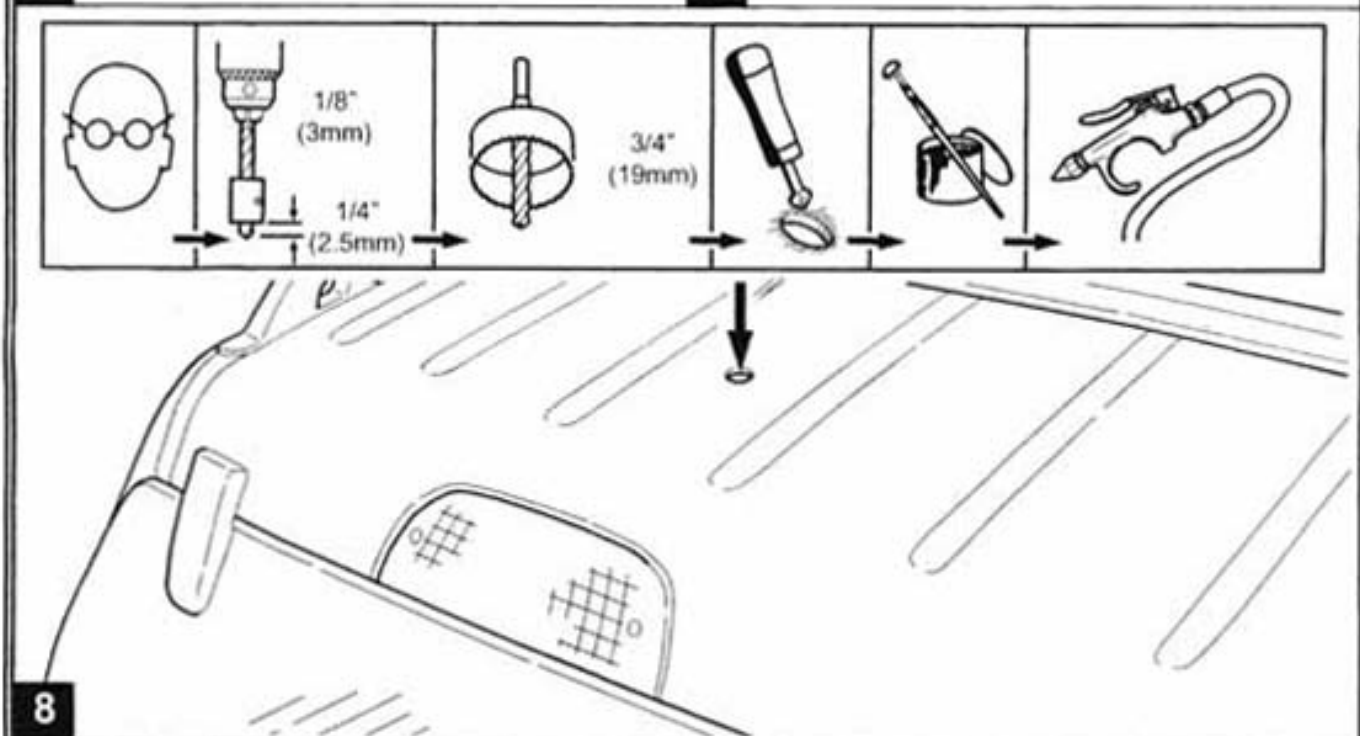
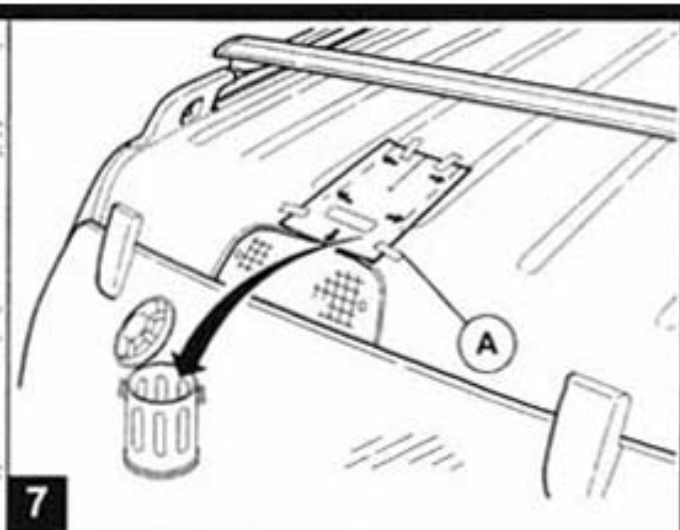
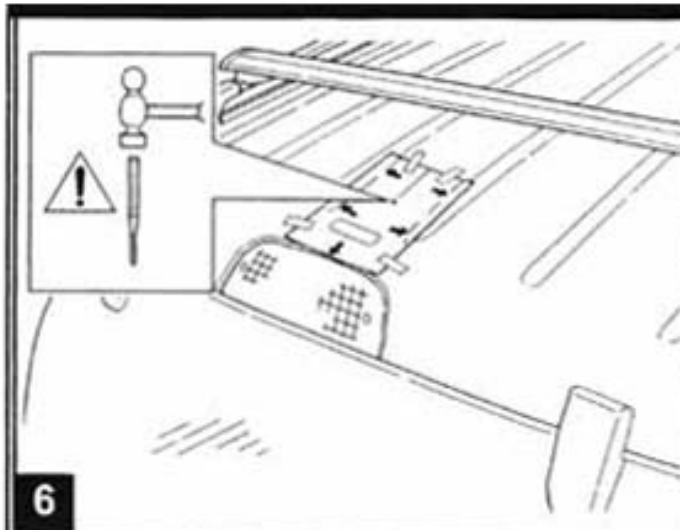


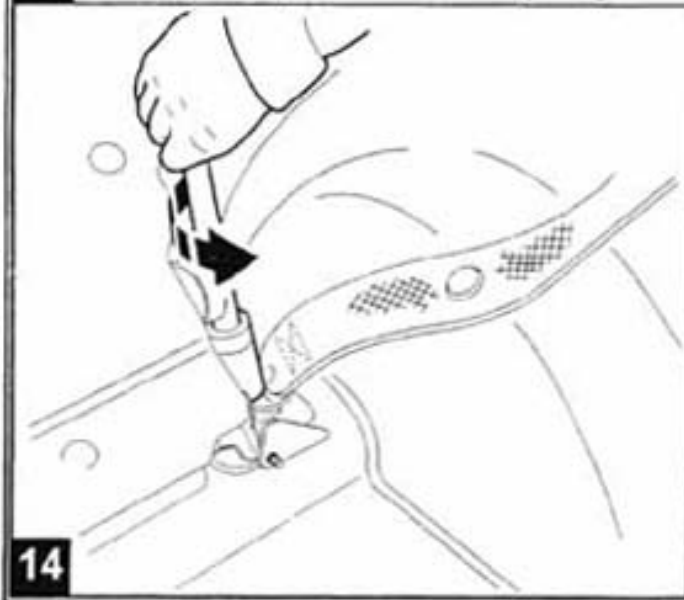
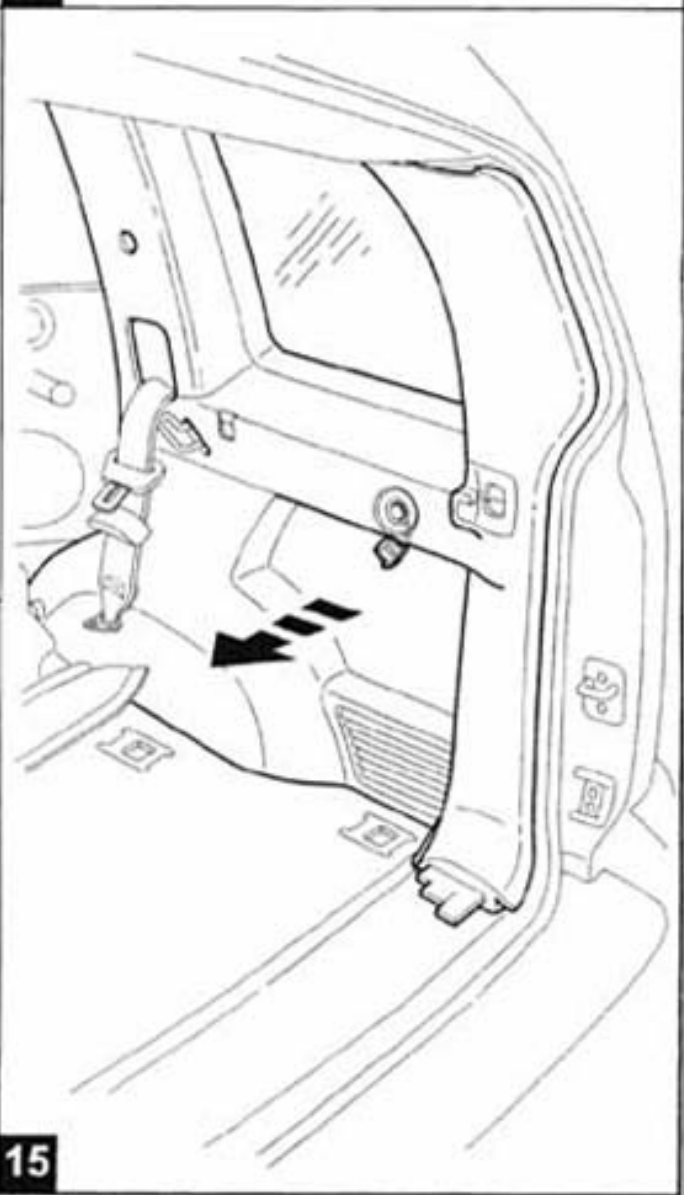
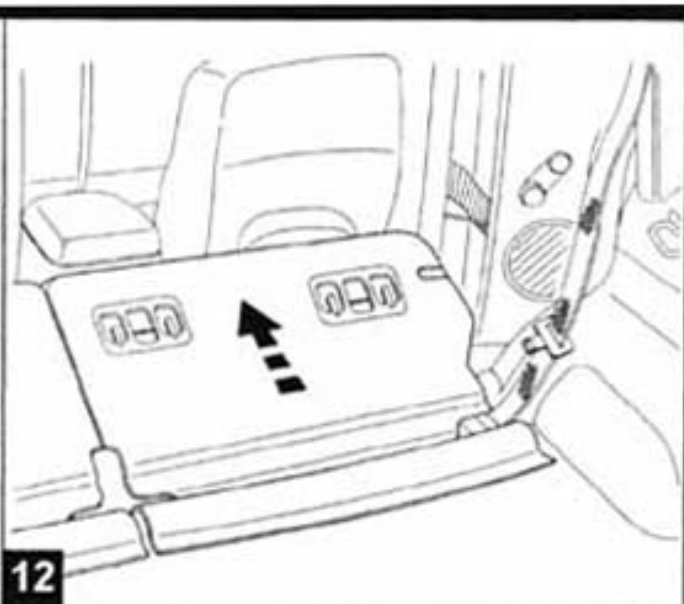
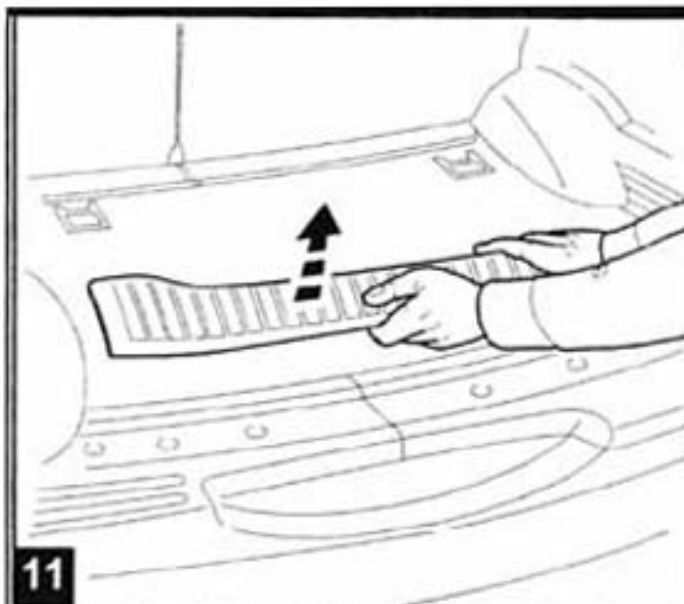
**NOTE:** There may be some miscellaneous hardware or items left over after completing this installation. Please use only the items and quantities shown in the parts list above.



For vehicles WITH CD changer follow steps 1-35  
For vehicles WITHOUT changer follow steps 1-22 and 36-48



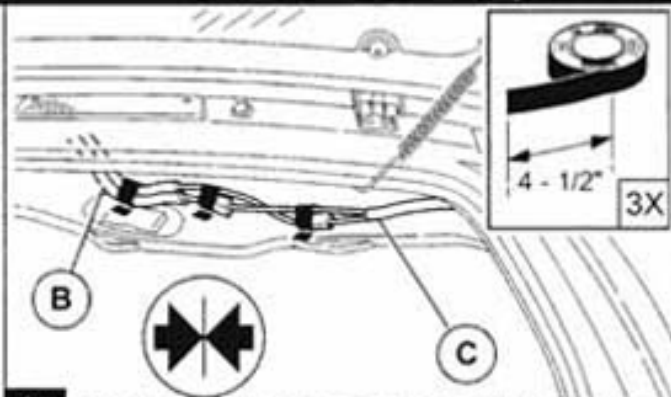




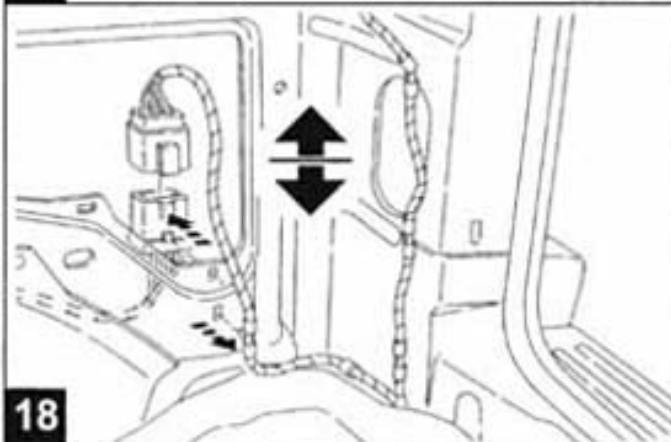
DO NOT BEND (MORE THAN 90°), KINK, TIE STRAP, OR TIGHTLY COIL THE CABLE.



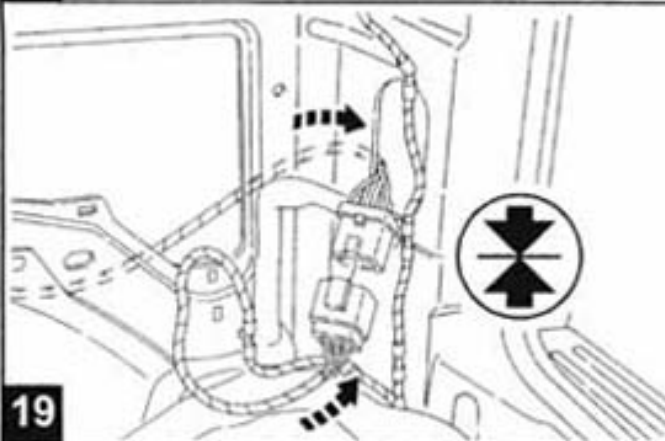
16 USED SUPPLIED CLIPS TO PROVIDE STRAIN RELIEF (4'-8" FROM CONNECTION POINTS).



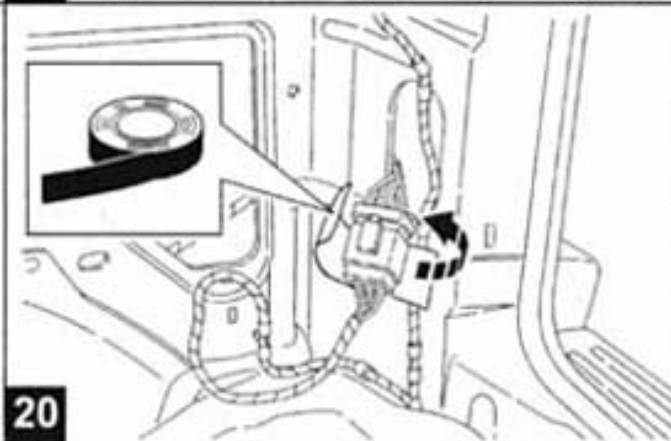
17 MATCH CONNECTOR COLORS AND KEYING.



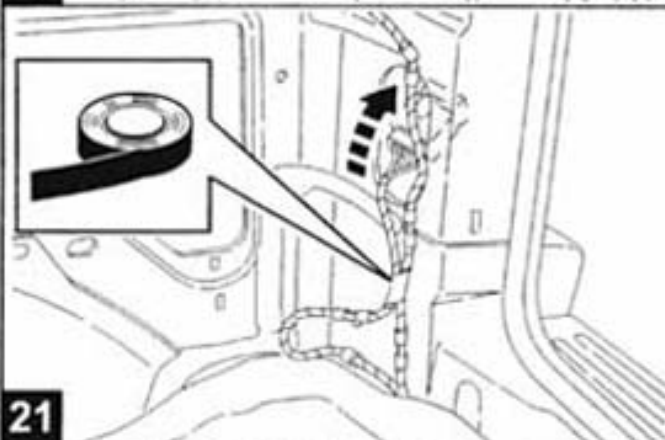
18



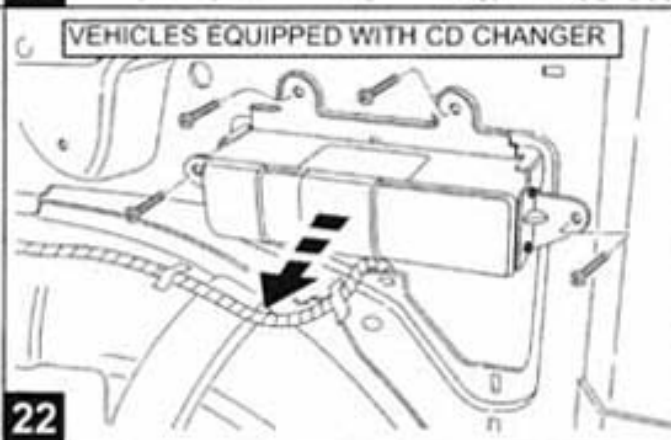
19



20



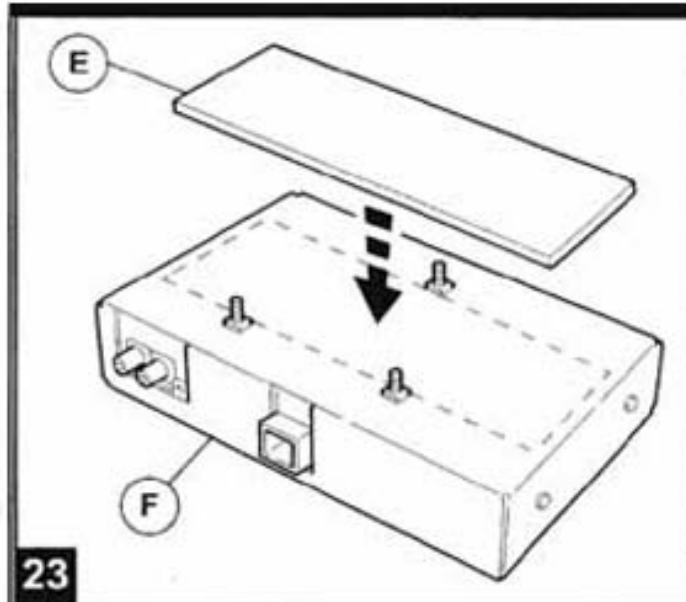
21



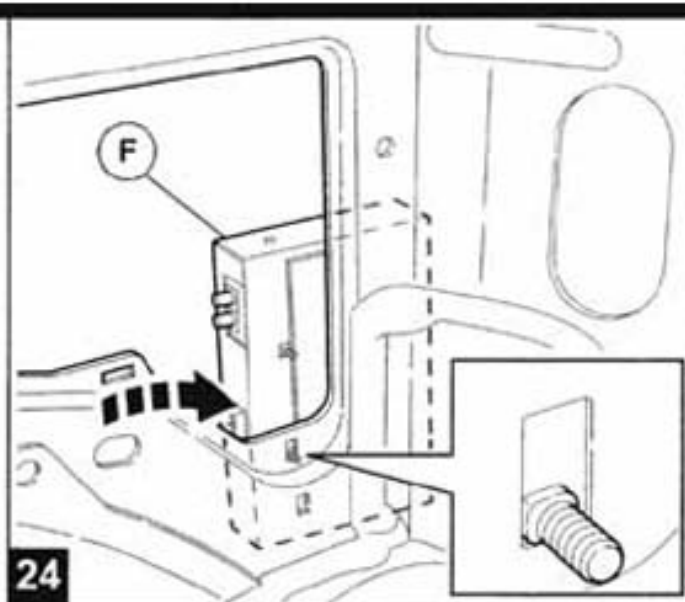
22

VEHICLES EQUIPPED WITH CD CHANGER

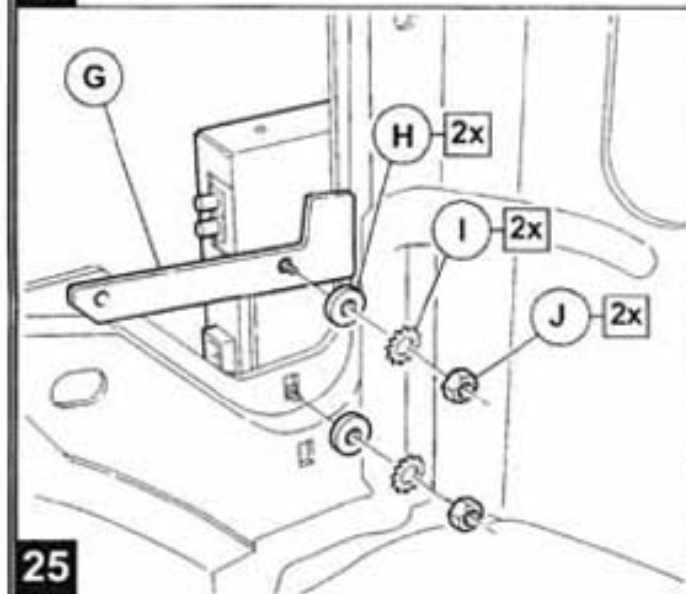




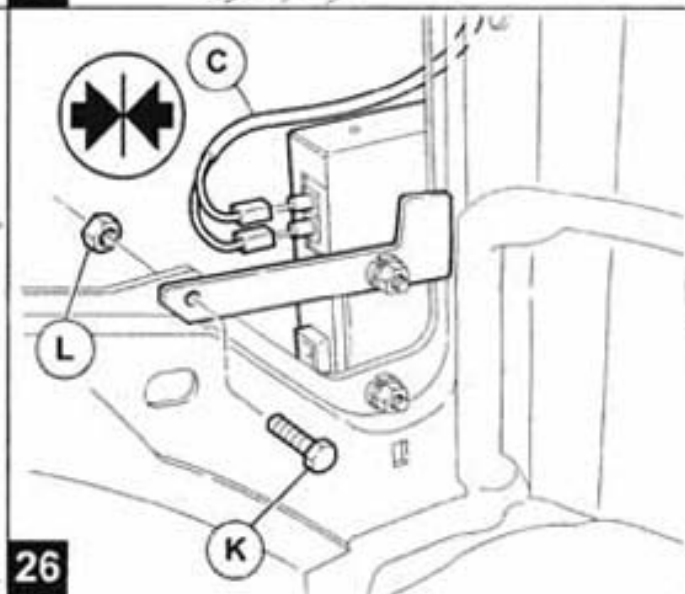
23



24

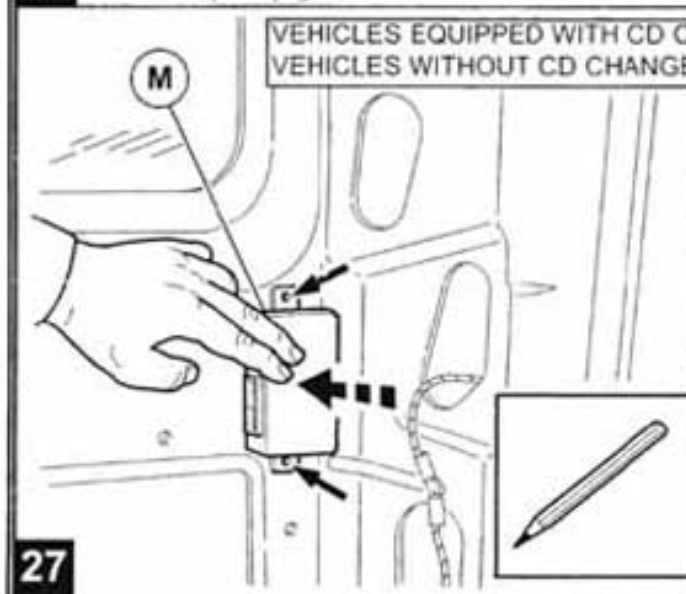


25

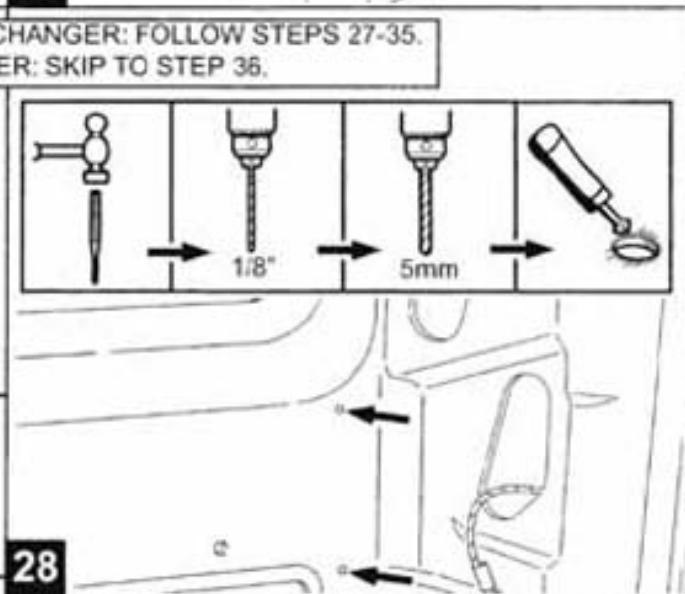


26

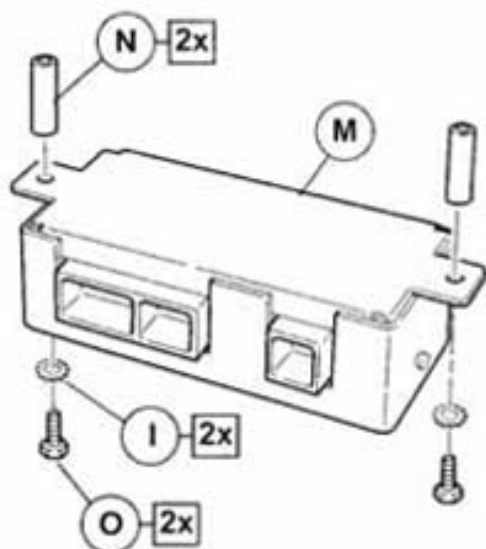
VEHICLES EQUIPPED WITH CD CHANGER: FOLLOW STEPS 27-35.  
 VEHICLES WITHOUT CD CHANGER: SKIP TO STEP 36.



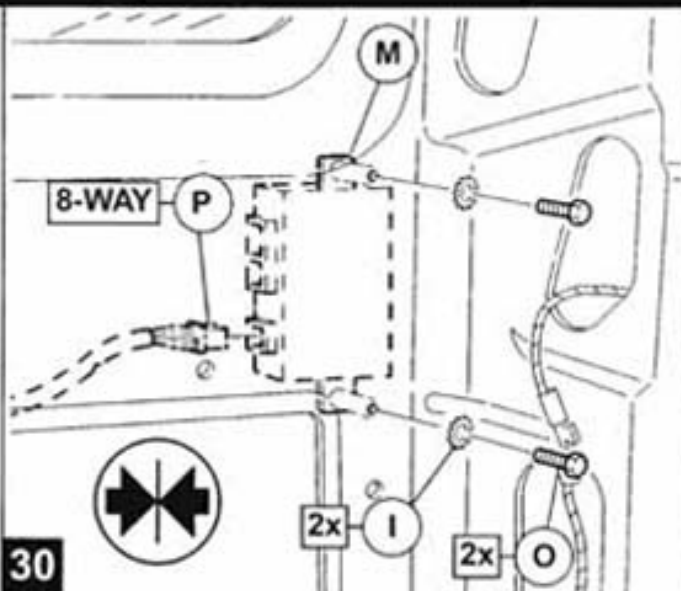
27



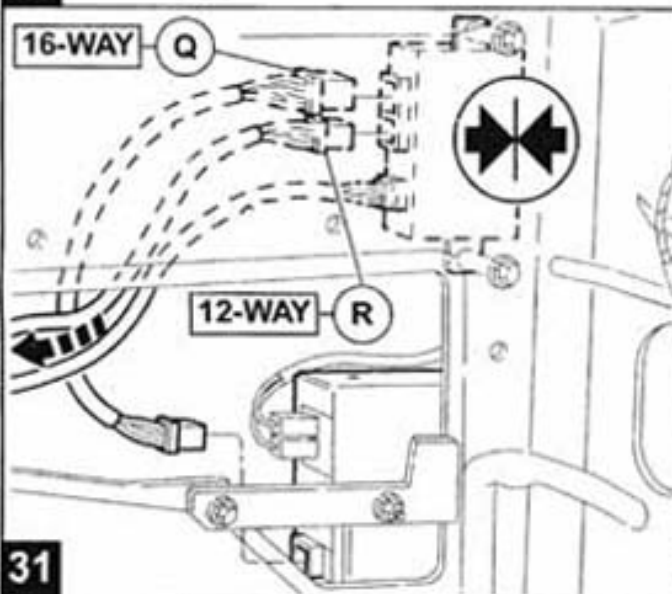
28



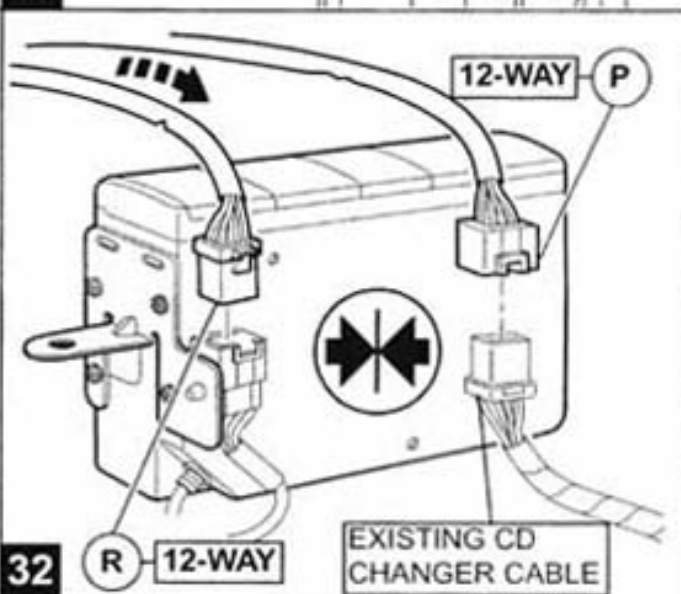
29



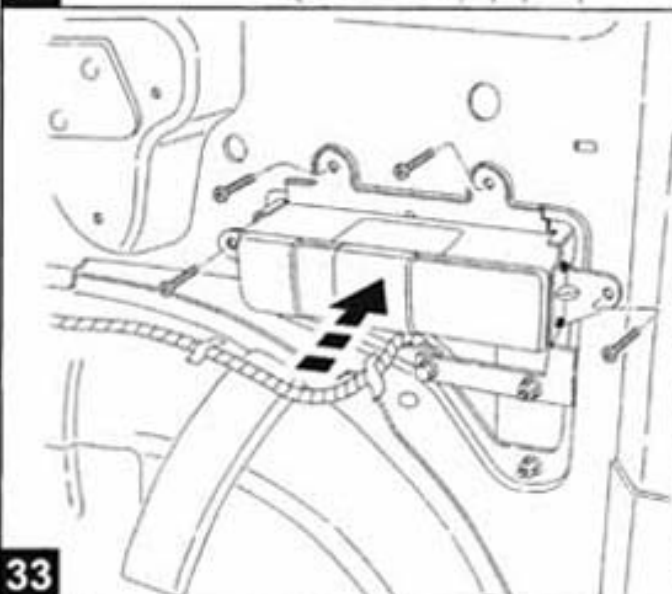
30



31



32



33



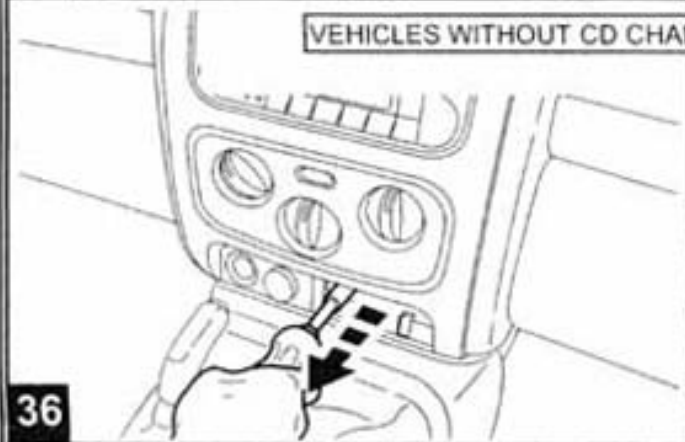
34



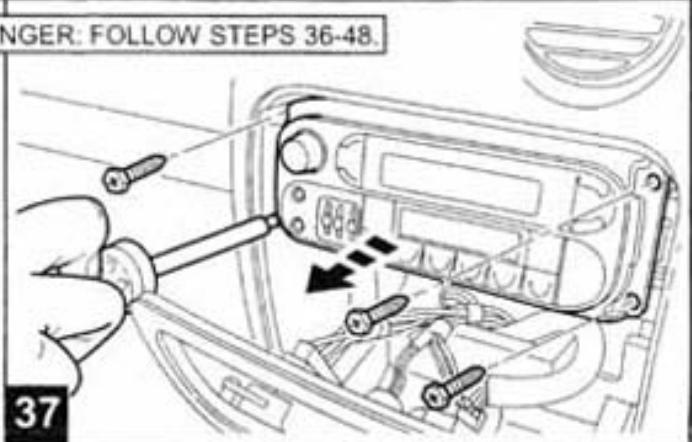
■ DRIVE VEHICLE OUTSIDE TO ALLOW FOR A CLEAR SATELLITE SIGNAL TO THE ANTENNA.

35

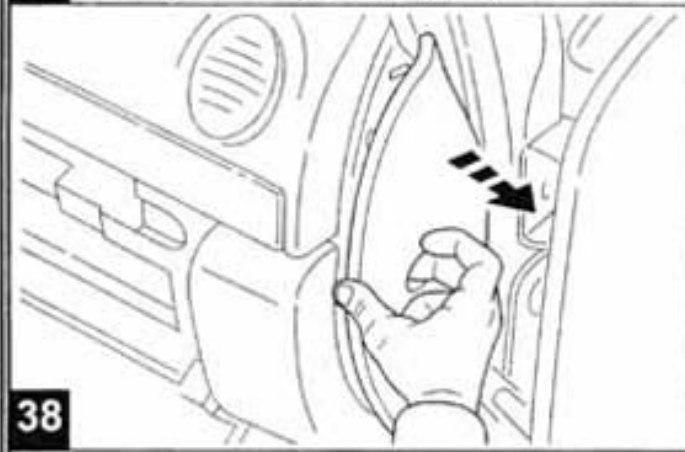
VEHICLES WITHOUT CD CHANGER: FOLLOW STEPS 36-48.



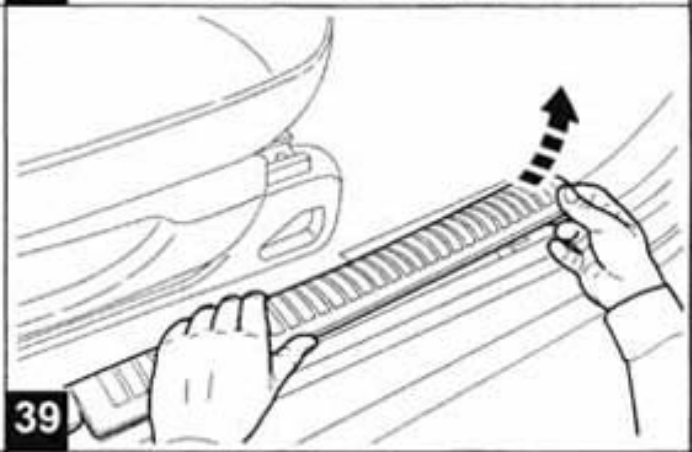
36



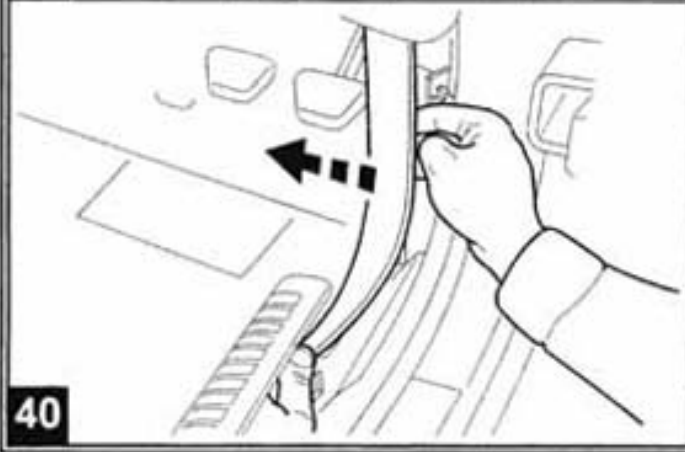
37



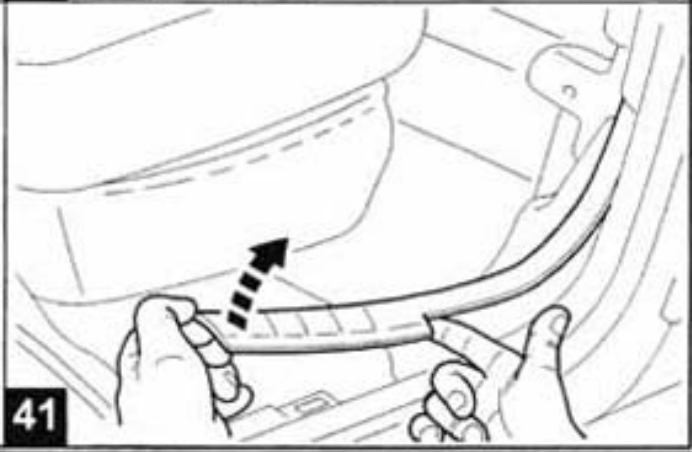
38



39

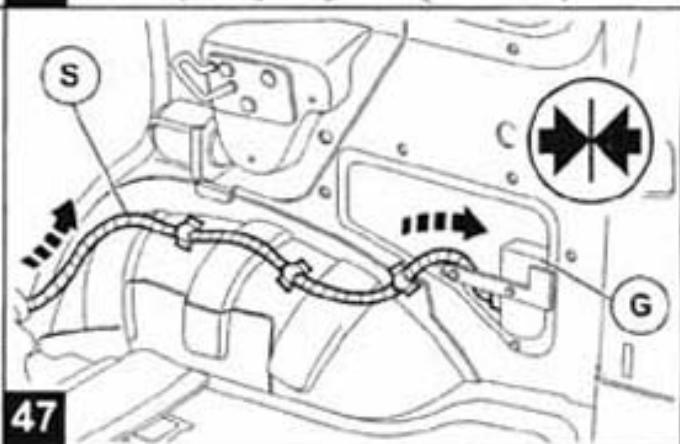
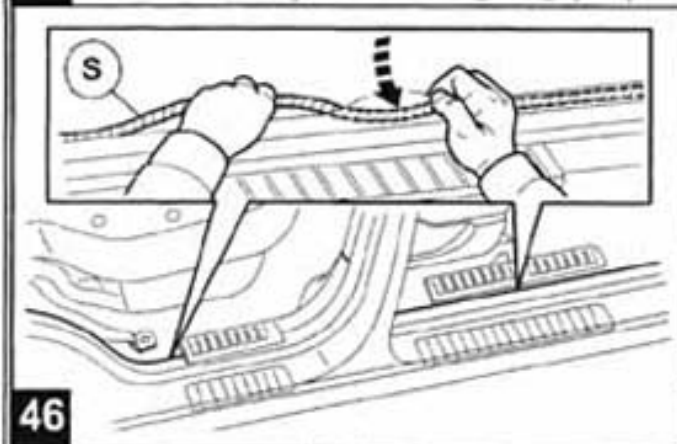
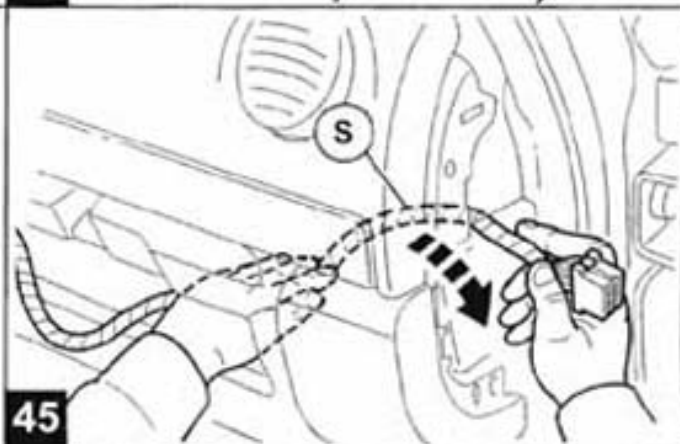
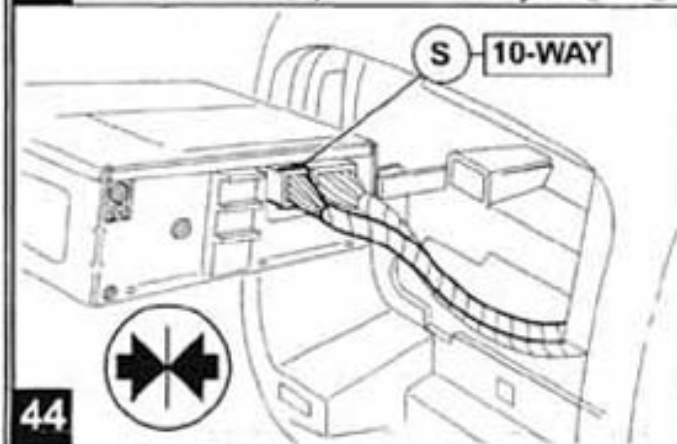
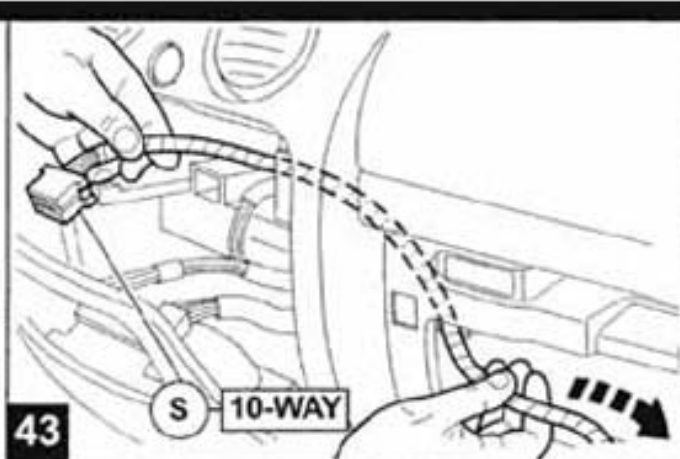
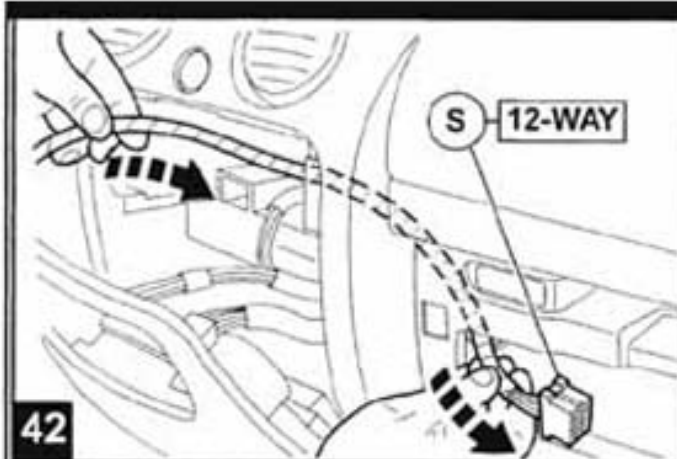


40



41





■ DRIVE VEHICLE OUTSIDE TO ALLOW FOR A CLEAR SATELLITE SIGNAL TO THE ANTENNA.

IMPORTANT! PLEASE AFFIX ESN STICKERS TO OWNER'S MANUAL, MIRROR TAG AND ORANGE CARD. INSTALL MIRROR TAG AND ATTACH ORANGE CARD TO INVOICE (THESE ITEMS CONTAINED IN RECEIVER KIT).